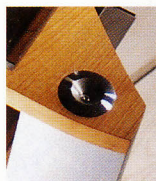


Fraim



As with everything Naim, imaginative engineering, exceptional audio quality and timeless aesthetic style are the fundamentals of The Fraim. Optimum equipment isolation along with the finest materials and finishes make a Fraim undoubtedly the best place to put your Naim - or any other audio electronics.



VERSATILITY

The Fraim is constructed from discrete shelf levels placed one upon another and can be extended or reconfigured as equipment is upgraded. Options of layer height, upright colour and shelf veneer add yet more versatility.

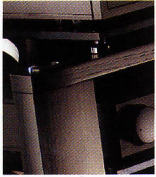
EXCEPTIONAL SOUND

Inter-level spike/cup interfaces and ball decouplers beneath each equipment shelf together minimise the potential for microphonic disturbance of sensitive electronic assemblies within the equipment. And careful choice of interface and shelf materials helps optimise performance.

Fraim shelf spacing is designed to minimise the magnetic field interactions between equipment. And to reduce magnetic effects still further, non-ferrous materials are used wherever possible.

The Fraim provides an ideal engineered environment to enable Naim or any other audio electronics to achieve their full potential.



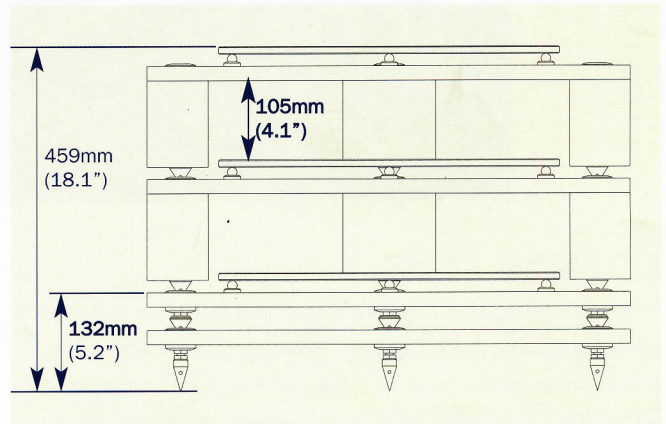
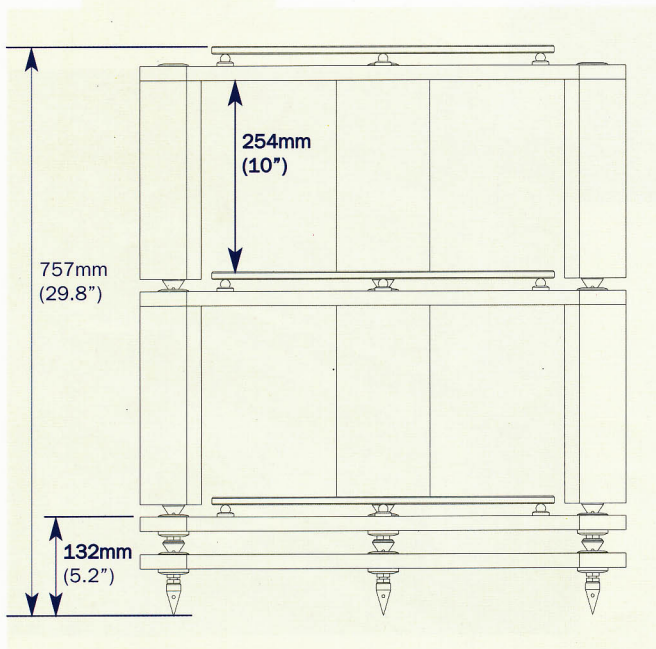
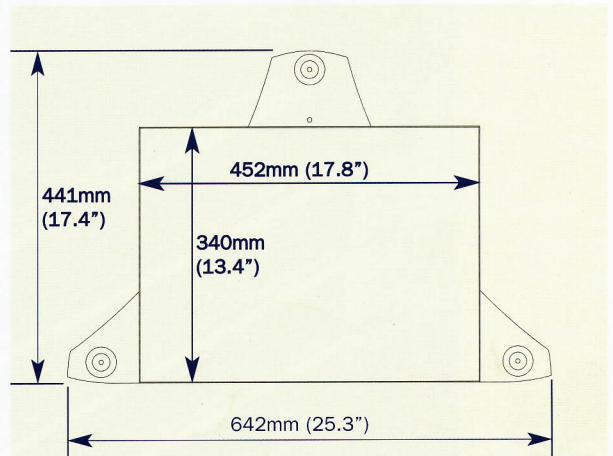


SIMPLE INSTALLATION

Fram shelf levels are quick and easy to assemble. The Fram is a tripod design so no adjustment is required to minimise rocking - either on assembly or over time.

OPTIONS

Shelf veneer: Maple, Cherry, Black Ash.
 Upright colour: Natural, Black.
 Upright: Standard, Extended.



WEIGHTS, LOADS AND LEVELS

Base/shelf level weight: 8.6kg (19lbs)/7.0kg (15lbs)
 Maximum total load: 90kg (198lbs)
 Maximum single shelf load: 50kg (110lbs)
 Maximum number of levels: 6 standard, 2 extended.

